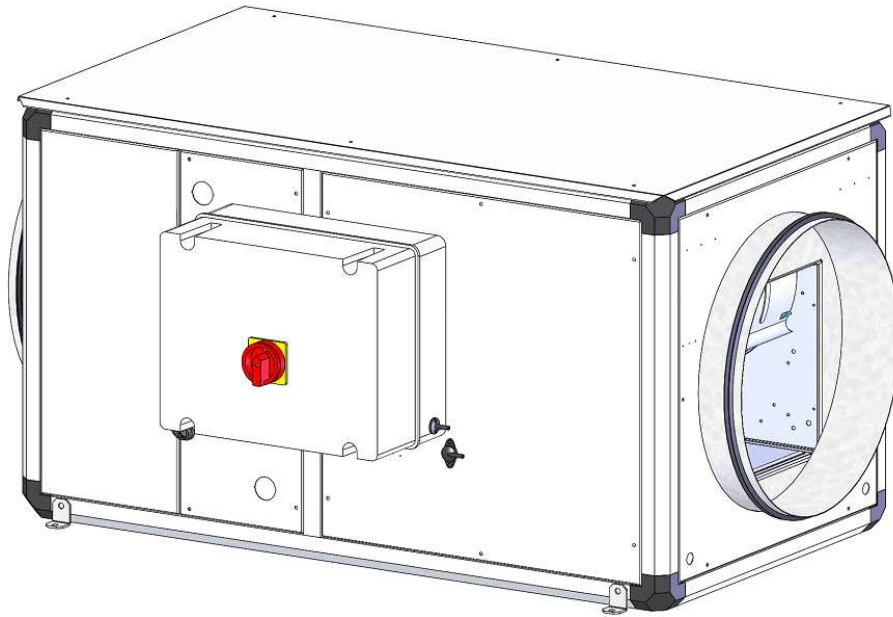
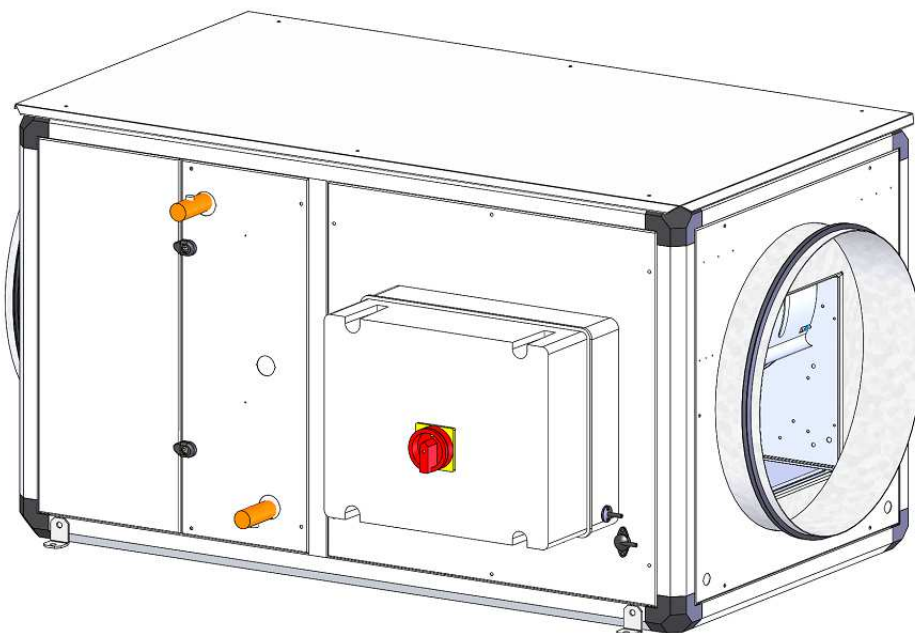


**OPERATING AND COMMISSIONING INSTRUCTIONS****EVENTYS BE****EVENTYS BC**

# OPERATING AND COMMISSIONING INSTRUCTIONS

## Table of content

<b>I. RECEIVING THE EQUIPMENT</b> .....	<b>4</b>
<b>I.1. Checks on reception</b> .....	<b>4</b>
<b>I.2. Unpacking</b> .....	<b>4</b>
<b>I.3. Storing</b> .....	<b>4</b>
<b>I.4. End of life</b> .....	<b>4</b>
<b>II. INSTALLATION</b> .....	<b>4</b>
<b>II.1. Handling</b> .....	<b>4</b>
<b>II.2. Space required</b> .....	<b>5</b>
<b>II.3. Installation</b> .....	<b>5</b>
<b>III. GENERAL FONCTIONNING</b> .....	<b>6</b>
<b>III.1. GENERAL</b> .....	<b>6</b>
<b>III.2. FUNCTIONAL ANALYSIS</b> .....	<b>6</b>
<b>III.3. SPEED CONTROL</b> .....	<b>6</b>
<b>III.4. COMPOSITION</b> .....	<b>7</b>
<b>III.5. ELEMENTS IN THE REGULATION</b> .....	<b>7</b>
<b>IV. ELECTRICAL WIRING</b> .....	<b>8</b>
<b>IV.1. Power supply</b> .....	<b>8</b>
<b>IV.2. Temperature sensors wiring</b> .....	<b>8</b>
<b>IV.3. Terminal blocks</b> .....	<b>8</b>
<b>IV.4. Filter pressure switch connections</b> .....	<b>9</b>
<b>IV.5. Fan pressure switch connection</b> .....	<b>10</b>
<b>IV.6. Hot water coil</b> .....	<b>10</b>
<b>IV.7. Kitchen solution 1 speed</b> .....	<b>11</b>
<b>IV.8. Kitchen solution 0-10V</b> .....	<b>12</b>
<b>IV.9. Kitchen solution 2 speed (Extraction 2 speed by frequency converter)</b> .....	<b>13</b>
<b>IV.10. Kitchen solution 2 speeds (Extraction 2 speed by DAHLANDER or separate)</b> .....	<b>14</b>
<b>IV.11. Kitchen solution (CAR2V3 cabinet)</b> .....	<b>15</b>
<b>IV.12. Kitchen solution (induction with EC motor)</b> .....	<b>15</b>
<b>IV.13. MODBUS wiring (see chapter V.3)</b> .....	<b>16</b>
<b>V. SETTINGS</b> .....	<b>16</b>
<b>V.1. Display</b> .....	<b>16</b>
<b>V.2. Operator parameters modification ( password 3333 required)</b> .....	<b>20</b>
<b>V.2.a. Acces to blocked parameters</b> .....	<b>20</b>
<b>V.2.b. Dates and hours clocks setting</b> .....	<b>20</b>
<b>V.2.c. Settings of speed HS and LS in % (passworded required)</b> .....	<b>21</b>
<b>V.2.d. Temperature setpoint modification</b> .....	<b>21</b>
<b>V.2.a. Forced stop of the unit or forced start LS or HS on the remote control</b> .....	<b>21</b>

# OPERATING AND COMMISSIONING INSTRUCTIONS

<b>V.3. Administrator settings</b> .....	<b>22</b>
V.3.a. Modification of system parameters .....	22
<b>VI. MAINTENANCE</b> .....	<b>24</b>
<b>VI.1. Battery replacement</b> .....	<b>24</b>
<b>VII. REPAIR</b> .....	<b>25</b>
<b>VII.1. No alarm</b> .....	<b>25</b>
<b>VII.2. List of alarms</b> .....	<b>26</b>
<b>VIII. MODBUS AND BACNET TABLES</b> .....	<b>27</b>
<b>IX. ANNEXES</b> .....	<b>28</b>
<b>IX.1. Wiring EVENTYS 08 to 95 BC and 08 BE</b> .....	<b>28</b>
<b>IX.2. Wiring EVENTYS 20 to 40 BE</b> .....	<b>29</b>
<b>X. NOTES</b> .....	<b>30</b>

# OPERATING AND COMMISSIONING INSTRUCTIONS

## SAFETY INSTRUCTIONS

In compliance with the current norms, the machine should be installed only by a technical person qualified for this type of work.

Use the required personal protection devices so as to avoid injuries caused by electrical and mechanical hazards (injuries by touching panels, sharp edges, etc.). Use EN170 protective eyewear and ear protection.

Do not use the unit for an other used which it designed. This unit can't be use for extract or supply dangerous air.

Move the machine as given in chapter *handling*.

Grounding is carried out in compliance with current standards. Never start the device without grounding

Before any intervention ensure that device is powered off and wait for complete stop of every rotative component such as damper, fan, rotative exchanger...

During device is running inspection doors must be mounted and closed.

Start is to be done only with padlockable swith.

Do not shut off or short circuit the safety and control equipment.

During interventions, be carefull with hot components such as hot water coil or electric resistances.

The machine should be installed in compliance with fire norms.

The waste must be disposed of in compliance with the current standards. No packaging should be discarded into the environment.

We disclaim any responsibility for any damages resulting from wrong utilisation of the equipment, reparation, modification or non compliance of these instructions.

## I. RECEIVING THE EQUIPMENT

The units are delivered fixed on longitudinal members or on blocks then wrapped in plastic film.

### I.1. Checks on reception

When the equipment is received, the state of the packaging and the equipment must be checked. In the event of damage, make an accurate note of any problems on the carrier's delivery note

### I.2. Unpacking

When the equipment is unpacked, check the following:

- The total number of packages is present.
- All accessories are present (dampers, electric switchgear, etc.). After unpacking the equipment, the waste must be disposed of in compliance with the current standards. No packaging should be discarded into the environment

### I.3. Storing

The equipment must be stored in shade, in a dry place, at a temperature between -20°C and 40°C. The packaging can't be considered sufficient for an external storage.

### I.4. End of life

In accordance with the partnerships with the compagny ECOLOGIC. CALADAIR fulfills the obligations to finance the collection, removal and treatment of Waste Electrical and Electronic Equipment.

At the end of the life of this equipment, the user contacts the company ECOLOGIC who will propose a collection solution or a place of deposit for the product.

Contacts for pick-up requests:

E-mail: [operations-pro@ecologic-france.com](mailto:operations-pro@ecologic-france.com)

Phone: 01 30 57 79 14

Internet: [www.e-dechet.com](http://www.e-dechet.com)

## II. INSTALLATION

### II.1. Handling

The units must only be moved in their installation position.

If the device is handled using a fork-lift truck, ensure this supports the load-bearing structure

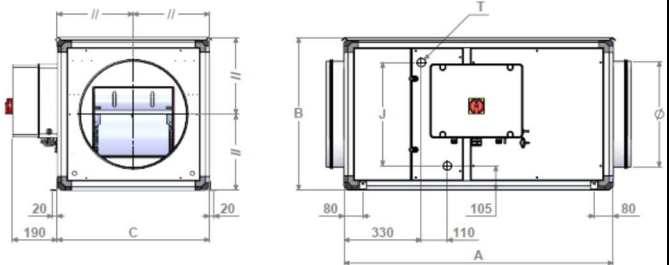
If the device is moved using a crane, use four cables of identical lengths. These must be at least as long as the greatest distance between two fastening points.

# OPERATING AND COMMISSIONING INSTRUCTIONS

### II.2. Space required

In general, it is desirable to provide an access space at least equal to 1 times the width of the box on the access side for maintenance.

Modèle	A mm	B mm	C mm	Ø mm	J mm	T inch	Weight kg
EVENTYS 08	940	445	445	250	240	1/2"	65
EVENTYS 20	940	445	445	315	240	1/2"	75
EVENTYS 30	1040	545	545	400	340	1/2"	100
EVENTYS 40	1140	645	645	450	440	3/4"	130
EVENTYS 50	1240	745	745	500	540	3/4"	155
EVENTYS 85	1340	845	970	630	640	1"	205
EVENTYS 95	1440	945	1170	800	740	1"	255



### II.3. Installation

The unit must be placed on a sufficiently solid, flat and solid surface.

Use vibration mounts if necessary.

Install the unit in such a way that the weather or the ambient temperature can not damage the internal elements of the control unit during installation and during its future use (possibly provide a protective cap).

If the fan inlet or outlet is not connected to a duct, they must be equipped with a protective grille.

Make sure that the device can not disengage itself from its support.

In the case of a vertical installation, the air flow must go from bottom to top.

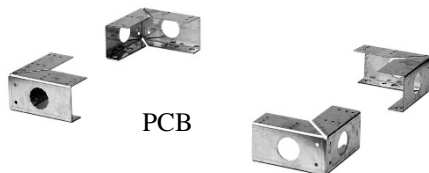
#### Installation of units « outside » :

A roof is fitted as standard. For outdoor installation, the box can not be mounted vertically.

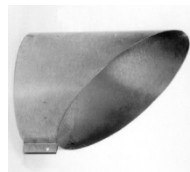
An outdoor unit must always be attached to the floor of the support frame so that it can not move or fall (take into account the force of the wind).

To elevate the box from the ground (out of water), it is proposed optional set of feet (PCB)

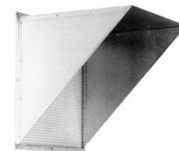
Optionally, there are also beveled mesh nozzles (BBG) or rain hoods (AGC) if required (optional).



PCB



BBG



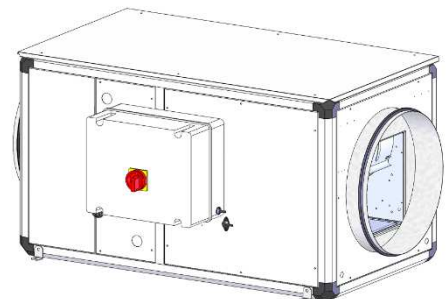
AGC

#### Installation of units (ceiling) :

The units should preferably be placed on a frame suspended from the structure of the building, taking care to respect the permissible loads (chassis at the expense of the installer).

However, the systems can be suspended directly from the ceiling by M8 threaded rods connected to the brackets located at the bottom of the boxes. Be careful to keep access to the filters.

In all cases, the box must be installed in the position indicated on the photo



#### Aeraulic connection:

For the ventilation connection, select the duct sections in relation to the dimensions of the flexible cuffs, which must be correctly tensioned. The network will have to be insulated if necessary. The network must be realized in the rules of the art (no elbows at the exit of fan before a minimum distance of 5 times the diameter of the connection, and in entry, no elbow before a minimum distance of 2.5 times the diameter of the connection).

The direction of the air is noted on the label.

# OPERATING AND COMMISSIONING INSTRUCTIONS

## III. GENERAL FONCTIONNING

### III.1.GENERAL

Compensation unit or new air heating for tertiary building and professional kitchens requiring low and medium flow rates. (from 100 to 9 500 m<sup>3</sup>/h).

EVENTYS range is a compensation or new air heating units for tertiary or professional kitchens application. Equipped as standard with its regulation and a proximity switch, this compensation unit consists of a high-efficiency direct drive motor (electronic switching) with integrated thermal protection, backward curves for size 08, forward for sizes 20 to 95

### III.2.FUNCTIONAL ANALYSIS

Start sequence:

- The supply air fan starts and the fresh air damper opens
  - The temperature control starts, according to the control mode that is configured. The electric heater, only starts on a flow controller (feedback). After a preset time, the alarm management function is activated. The installation is then in normal mode.
- Starting conditions:

The installation starts when one of the following conditions is met:

- The time program (clock) for normal speed or reduced speed is "On".
- The installation is started manually from the CORRIGO controller.
- The digital input for forced mode is activated.

Stop sequence:

The installation stops according to the following procedure:

- Disabling the alarm management function.
- Stop the electric heating.
- After a certain delay the fan is stopped.
- The fresh air damper is closed (optional not factory fitted).

Stop conditions:

The installation stops when one of the following conditions is true:

- The time program (clock) for normal speed or reduced speed is set to "Off" and the signal for forced operation is also set to "Off".
- Activation of the external stop command.
- The installation is stopped manually from the CORRIGO controller.
- Trigger an alarm type A. The installation will restart automatically once the alarm is reset.

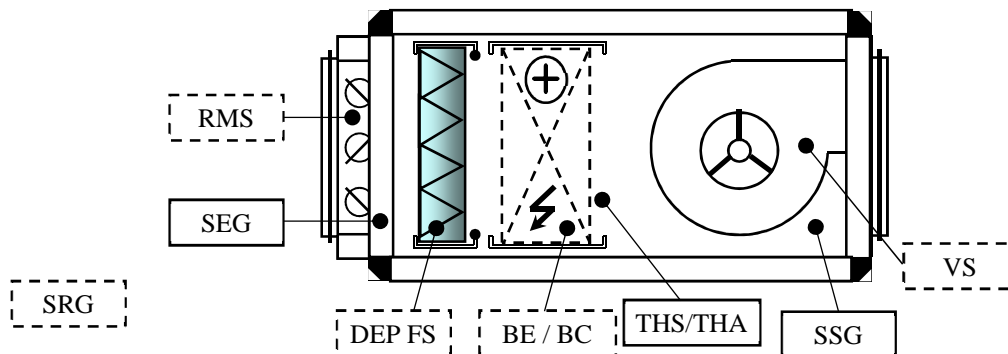
### III.3.SPEED CONTROL

EVENTYS range operates as standard in 1 or 2 adjustable speeds; Equipped with a factory set clock in high speed (HS - 1/1) from 06:00 to 21:00 and low speed (LS - 1/1) from 00:00 to 24:00. Priority HS. Possibility to add a remote external stop or forced (LS - 1/2) or (HS - 1/1) remote operation (NO free voltage contacts).

In this case, where you would like to combine several forced steps, the filter fault feedback via the pressure switch can not be reassembled on the controller.

### OPERATING AND COMMISSIONING INSTRUCTIONS

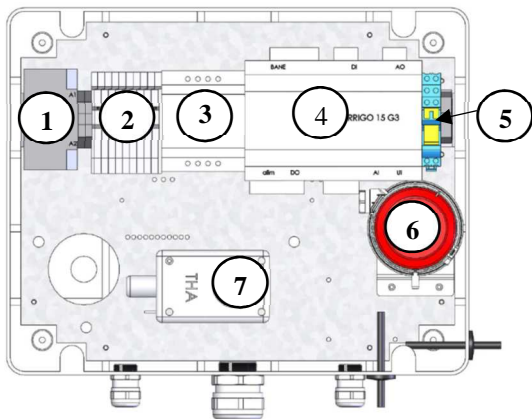
#### III.4.COMPOSITION



#### Components

VS = Supply air fan (VAS/VS)
DEP FS = filter pressure switch DEPFS
BE/BC = Electrical battery or Hot water battery
THA/THS = External frost guard for hot water battery or High temperature security switch for electrical battery
SSG = Supply air temperature sensor
SEG = Outdoor air temperature sensor
SRG = Outdoor air temperature sensor (optional)
RMS = Damper (optional not mounted)

#### III.5.ELEMENTS IN THE REGULATION



#### Components

1 = K1 electrical battery relay
2 = Terminal block
3 = Transformer 230V/24V TRAF040
4 = Controller E151D
5 = K2 relay for kitchen application
6 = DEP S (supply pressure switch)
7 = THA ( External frost guard for hot water battery)

# OPERATING AND COMMISSIONING INSTRUCTIONS

## IV. ELECTRICAL WIRING

### IV.1. Power supply

	Size	Power supply (V / Ph / Hz)	Protection Amps (A)	Electrical battery power (kW)	Motor power (W)	Motor amps (A)	Used temp (°C/°C)	Motor IP/Class	Thermal protection*
HOT WATER	EVENTYS 08 BC ECO	230 / 1 / 50	1,4	-	169	1,4	-25 / 60	IP54 / B	PTI
	EVENTYS 20 BC ECO	230 / 1 / 50	4,3	-	1070	4,3	-25 / 40	IP44 / F	PTI
	EVENTYS 30 BC ECO	230 / 1 / 50	4,5	-	1040	4,5	-25 / 40	IP44 / F	PTI
	EVENTYS 40 BC ECO	230 / 1 / 50	4,4	-	1030	4,4	-20 / 40	IP44 / F	PTI
	EVENTYS 50 BC ECO	230 / 1 / 50	8	-	1790	8	-20 / 40	IP44 / F	PTI
	EVENTYS 85 BC ECO	230 / 1 / 50	10	-	2310	10	-20 / 40	IP44 / F	PTI
	EVENTYS 95 BC ECO	230 / 1 / 50	9	-	2110	9	-20 / 40	IP44 / F	PTI
ELECTRICAL	EVENTYS 08 BE ECO	230 / 1 / 50	17,7	3,75	169	1,4	-25 / 60	IP54 / B	PTI
	EVENTYS 20 BE ECO	400 / 3+N / 50	20,5	11,25	1070	4,3	-25 / 40	IP44 / F	PTI
	EVENTYS 30 BE ECO	400 / 3+N / 50	34,8	21	1040	4,5	-25 / 40	IP44 / F	PTI
	EVENTYS 40 BE ECO	400 / 3+N / 50	43,4	27	1030	4,4	-20 / 40	IP44 / F	PTI

\* PTI : Protection thermique intégrée

### IV.2. Temperature sensors wiring

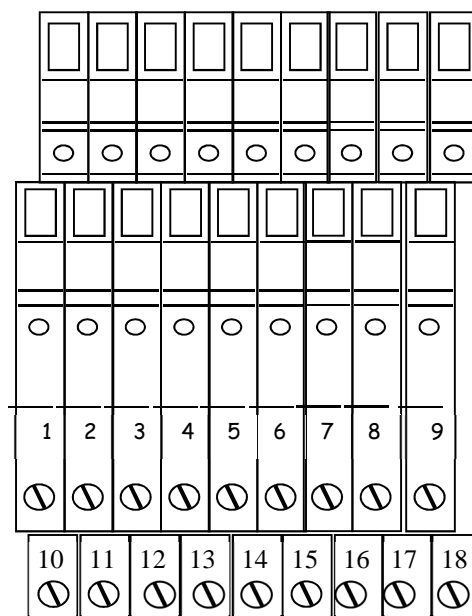
Temperature sensors are connected directly on the controller CORRIGO.

**SSG** : Duct supply temperature sensor on Agnd(30) et AI1(31)

**SEG** : Duct outdoor temperature sensor on Agnd(30) et AI2(32)

**SRG** : Duct extract temperature sensor on Agnd(33) et AI3(34)

### IV.3. Terminal blocks



Désignation

Bornes

Raccordement



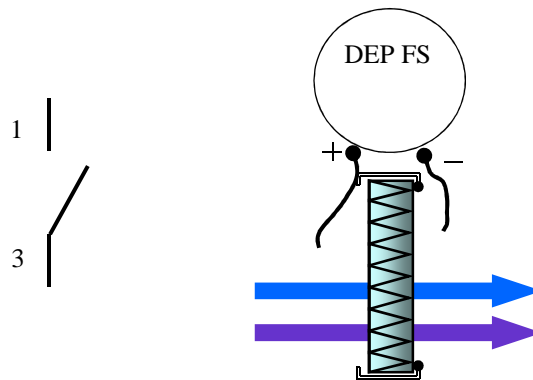
# OPERATING AND COMMISSIONING INSTRUCTIONS

ADP	1-2	Connect on fire emergency stop (free voltage NC contact)
THS /THA	3-4	Connect to NC free voltage contact of THA (EVENTYS BC) or connect to NC free voltage contact of THS (EVENTYS BE)
BE ou pump BC	DO1*-5	BE : Connect to static contactor of the electric battery Hot water pump connect to hot water circulator (Nota : 24V 2AMax to relay)
RMS	DO2*-6	Connect to fresh air damper actuator (Note : 24V 2A Max to relay)
AL	DO3*-7	24V output available if unit is in default (Note : 24V 2A Max to relay)
DEPS	DI1*-8	Connect to terminal 1 and 3 of supply pressure switch
DEP Filtre	10-11	Connect to terminal 1 and 3 of supply filter switch. It must be disconnected in case of 2 speed management by external contact.
Marche forcée PV Marche Forcée GV Arr Ext	12-13	To be selected according to congiguration. To be connected to free voltage contact NO

\* To be connected directly to CORRIGO controller

## IV.4. Filter pressure switch connections

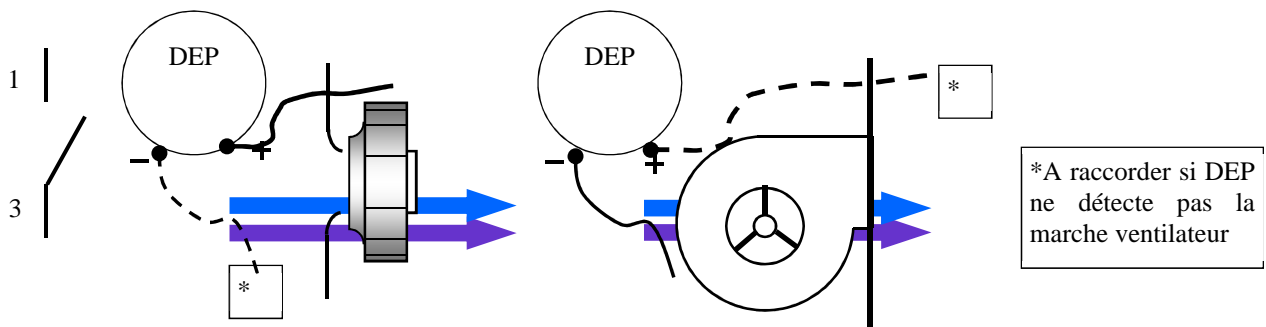
Fresh air filter pressure switch is factory connected



# OPERATING AND COMMISSIONING INSTRUCTIONS

### IV.5. Fan pressure switch connection

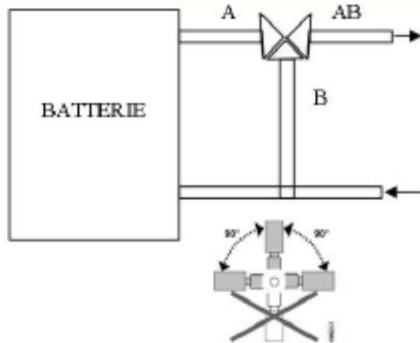
Fans switches are factory cabled and connected



### IV.6. Hot water coil

Pay attention to let the doors free of access (ducts, cables)

Coil is mounted in the unit, antifreeze Thermostat is connected. You have to cable the 3 ways valve.



3 WAYS VALVE MUST BE CONNECTED WHEN POWER IS OFF

Connect the actuator of the 3 ways valve as following instructions:

*Hot Coil :*

Terminal **16** on +24V (G) of the 3 ways valve actuator

Terminal **17** on 0V (G0) of the 3 ways valve actuator

Terminal **18** on 10V (Y) of the 3 ways valve actuator

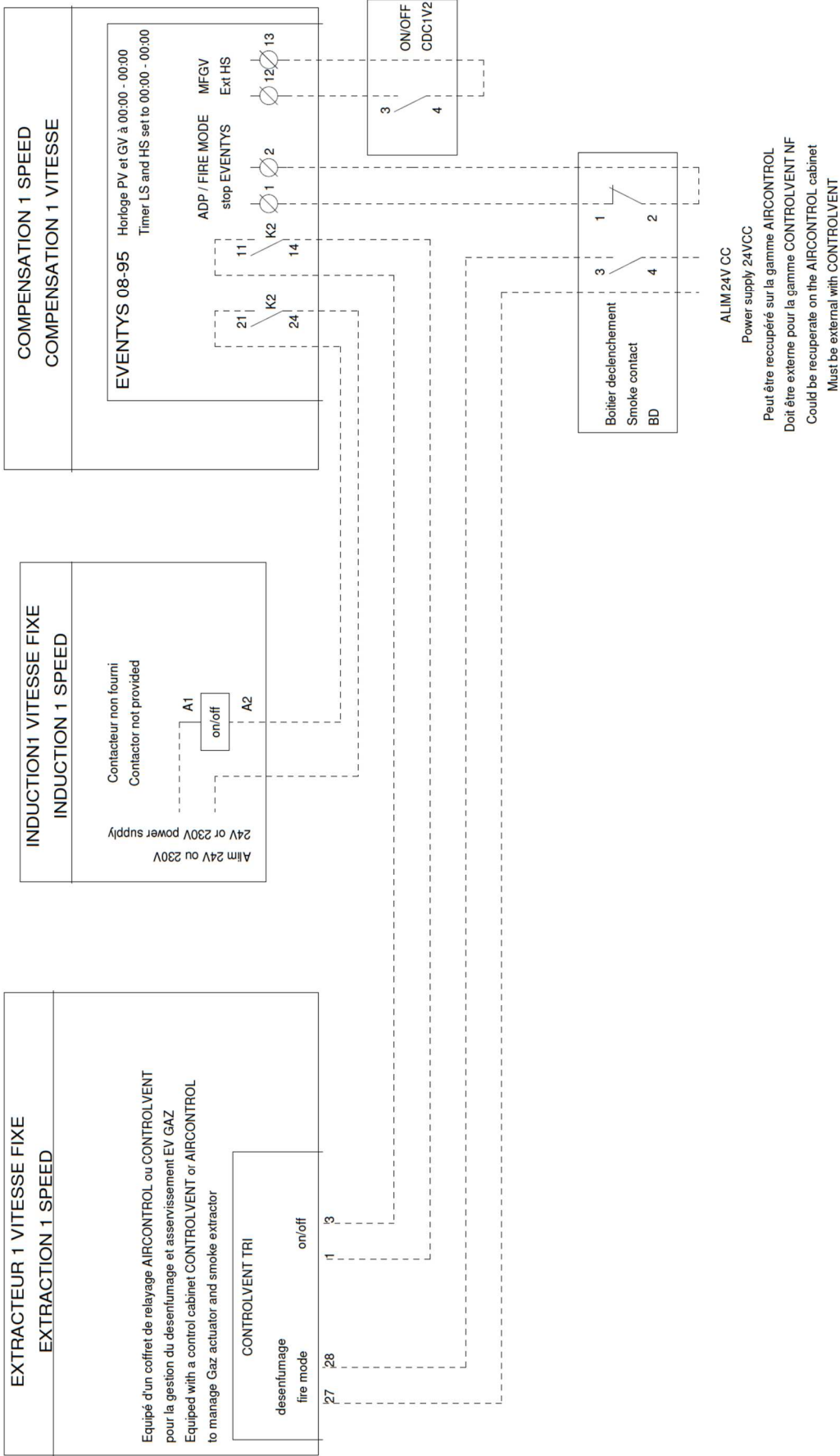
Connect NC contact (C et 2) of the **THA** (Deicing Thermostat) on **3** and **4**.

Possibility to connect the circulator on the **DO1** terminal of the regulator and the terminal block **5**.

(Note: 24V output to relay)

**OPERATING AND COMMISSIONING INSTRUCTIONS**

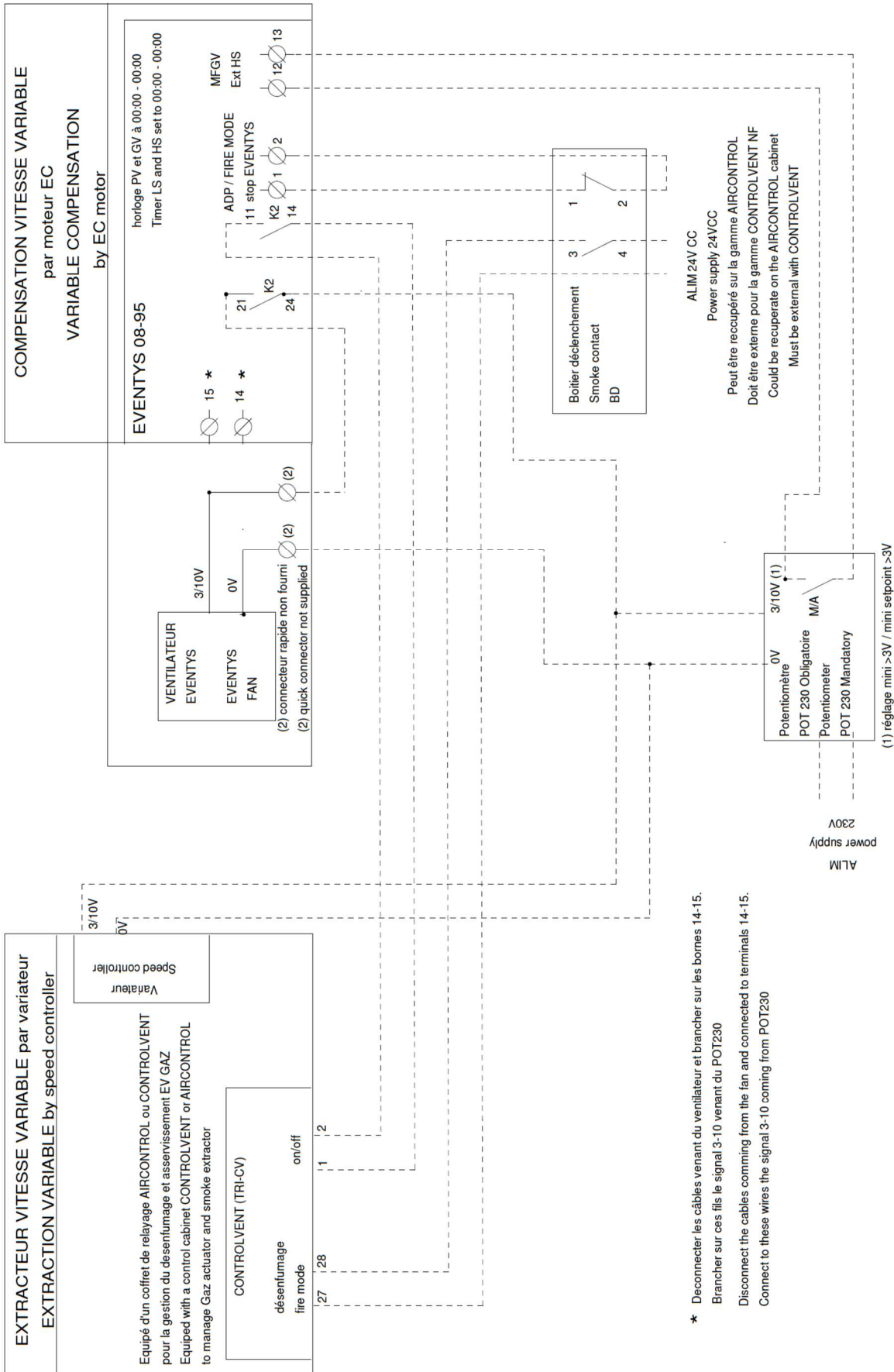
**IV.7. Kitchen solution 1 speed**



# OPERATING AND COMMISSIONING INSTRUCTIONS

## IV.8. Kitchen solution 0-10V

In this case, we can only manage 2 fans

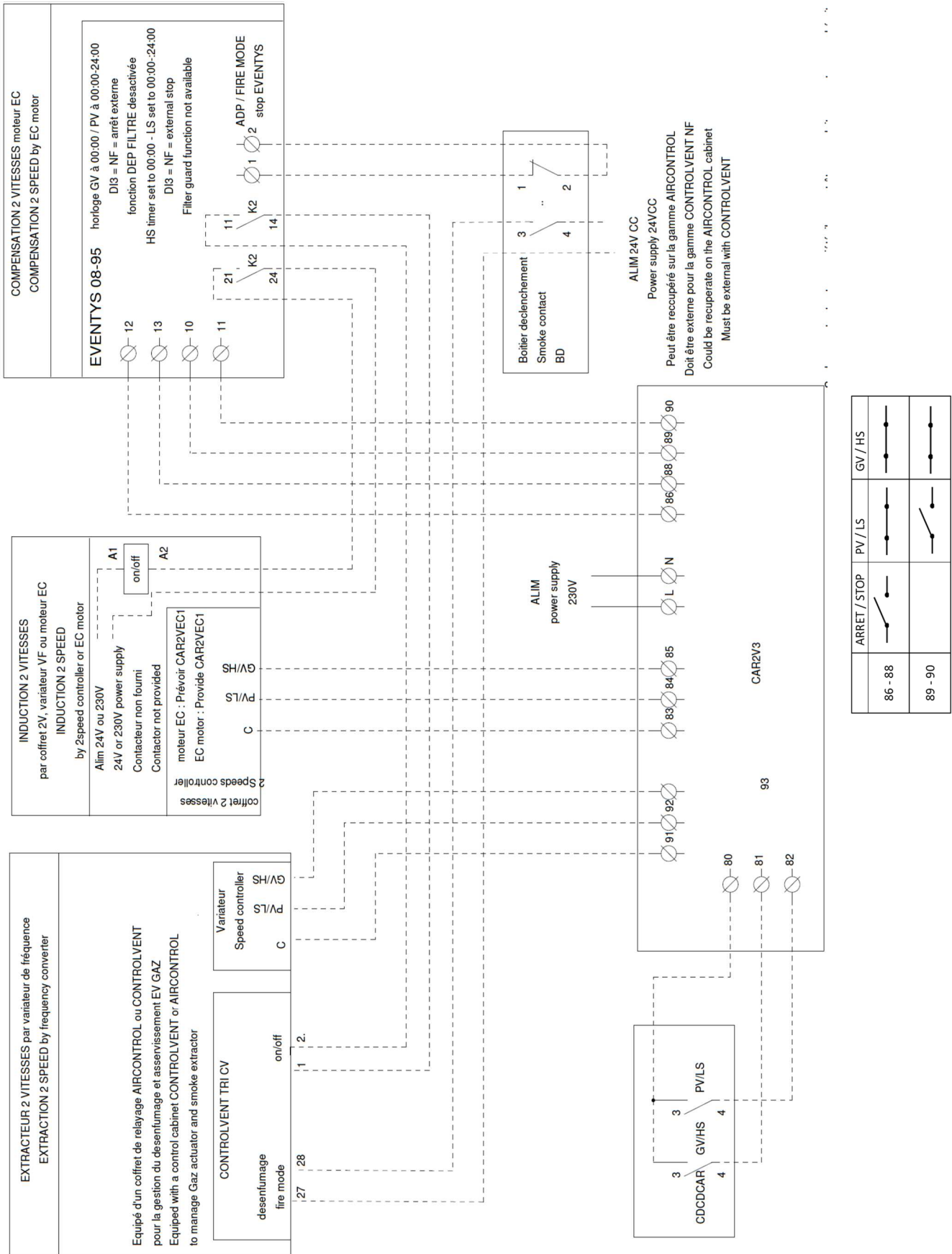


\* Déconnecter les câbles venant du ventilateur et brancher sur les bornes 14-15.  
Brancher sur ces fils le signal 3-10 venant du POT230  
Disconnect the cables coming from the fan and connected to terminals 14-15.  
Connect to these wires the signal 3-10 coming from POT230

3V mini permanently even after stop request in order to keep post-ventilation

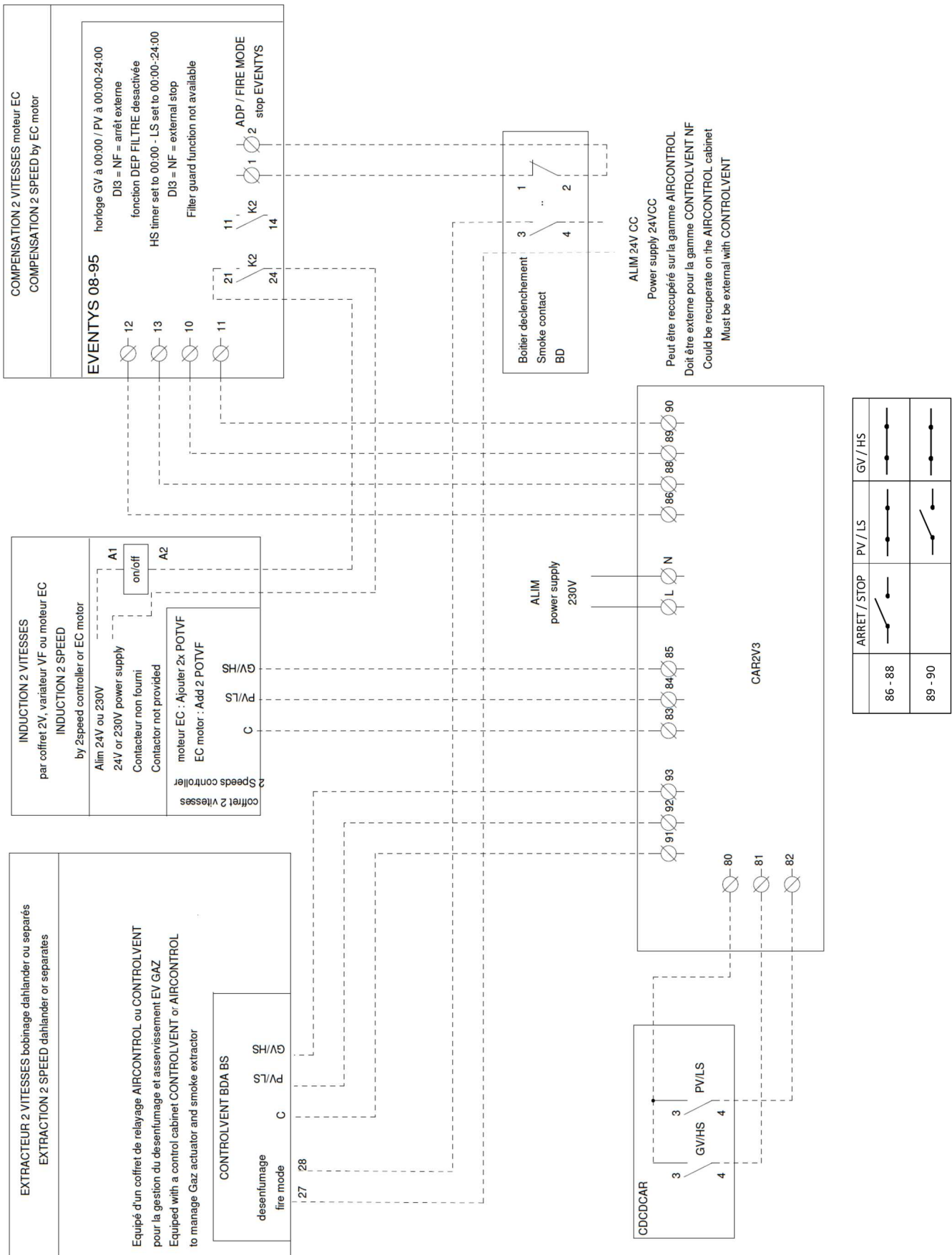
# OPERATING AND COMMISSIONING INSTRUCTIONS

## IV.9. Kitchen solution 2 speed (Extraction 2 speed by frequency converter)



# OPERATING AND COMMISSIONING INSTRUCTIONS

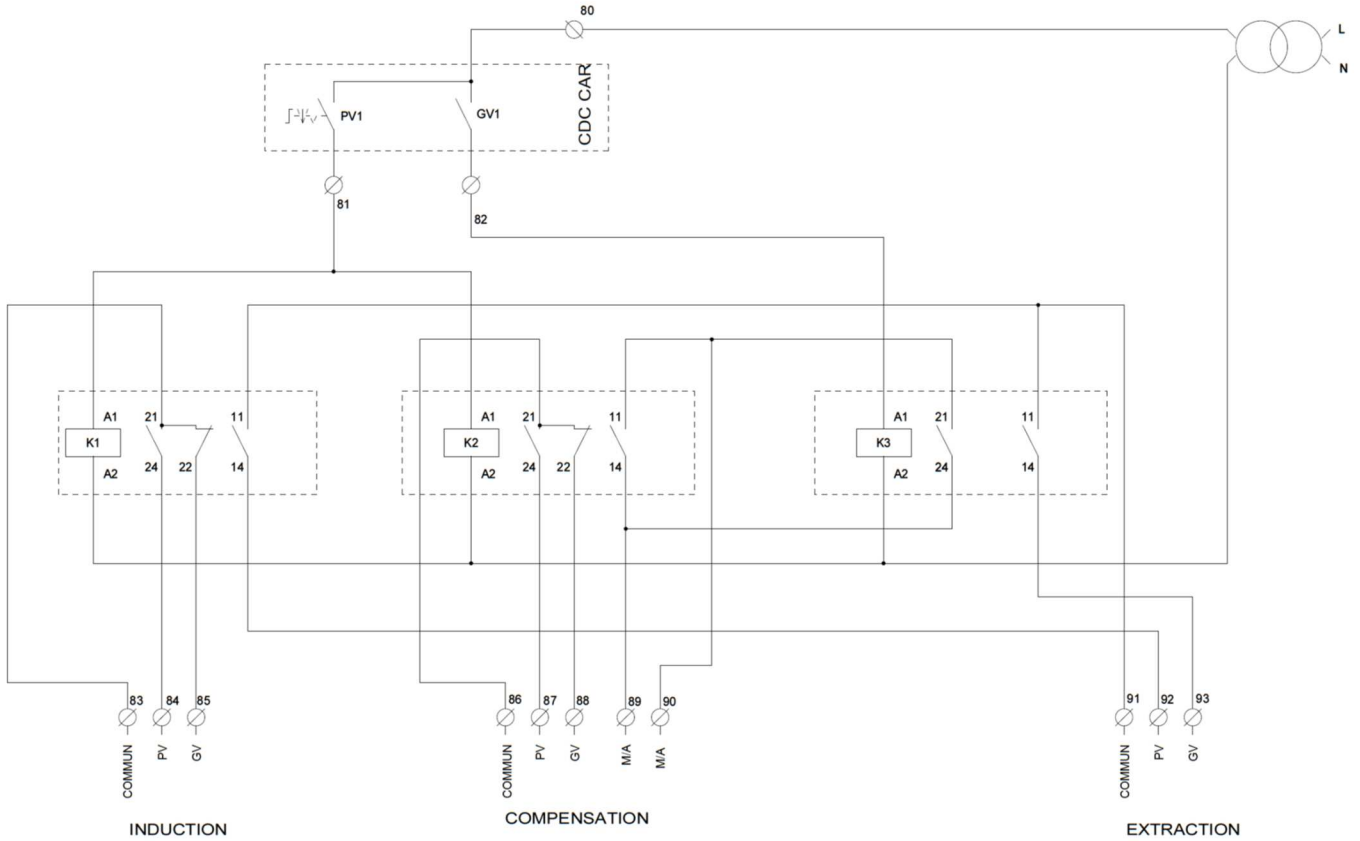
### IV.10. Kitchen solution 2 speeds (Extraction 2 speed by DAHLANDER or separate)



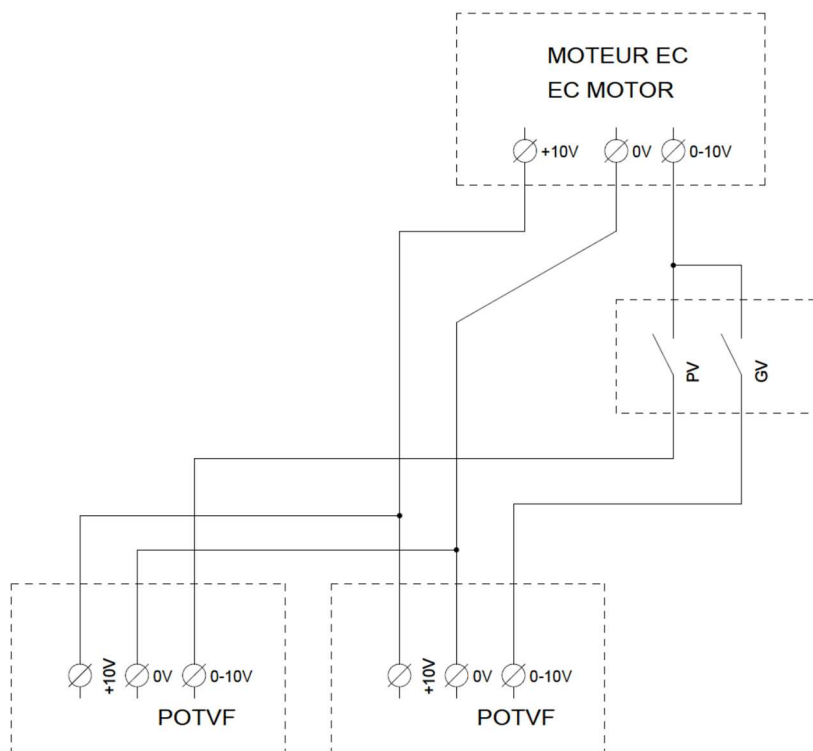


# OPERATING AND COMMISSIONING INSTRUCTIONS

## IV.11. Kitchen solution (CAR2V3 cabinet)



## IV.12. Kitchen solution (induction with EC motor)



# OPERATING AND COMMISSIONING INSTRUCTIONS

## IV.13. MODBUS wiring (see chapter V.3)

**MODBUS RS485** : Use armoured cable 2 crossed pairs wire type BELDEN 8723 or similar to connect BMS to controller (to connect to port 1 (BANE) / connect armour to N and don't connect E)

**Impossible if REPEATER**

## V. SETTINGS

### V.1. Display

There are four lines of twenty characters on the backlight display. The light only starts when a button is pushed. It stops after an inactivity period.

There are 2 LED on the front of the display:

LED of the alarm is a bell symbol.



LED for the writing with a pen symbol.

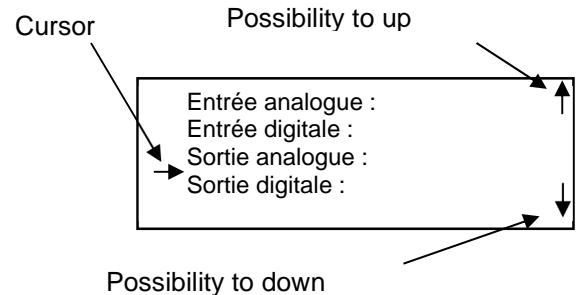
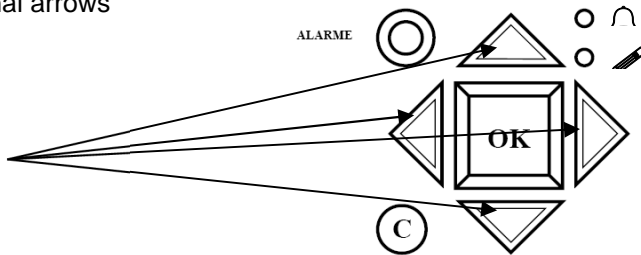


- Quick blinking = you can modify the value

- Slow blinking = you must enter a password to modify the value

- o Directional arrows up, down left and right help to navigate in the menus.
- o Up and Down buttons help to increase or decrease the values of a parameter when you have access to. Right and left buttons help to navigate inside the parameter.
- o OK button help to enter the value and to confirm a choice. C button helps to cancel it.
- o Alarm button (red) allows the access of the defaults list.
- o Left arrow also helps to go out of the alarm menu and go back to the main menu
- o Cursors indicate the possible movements and which arrows to press.

Directional arrows  
MENU)





# OPERATING AND COMMISSIONING INSTRUCTIONS

Normal writing words = visualization only

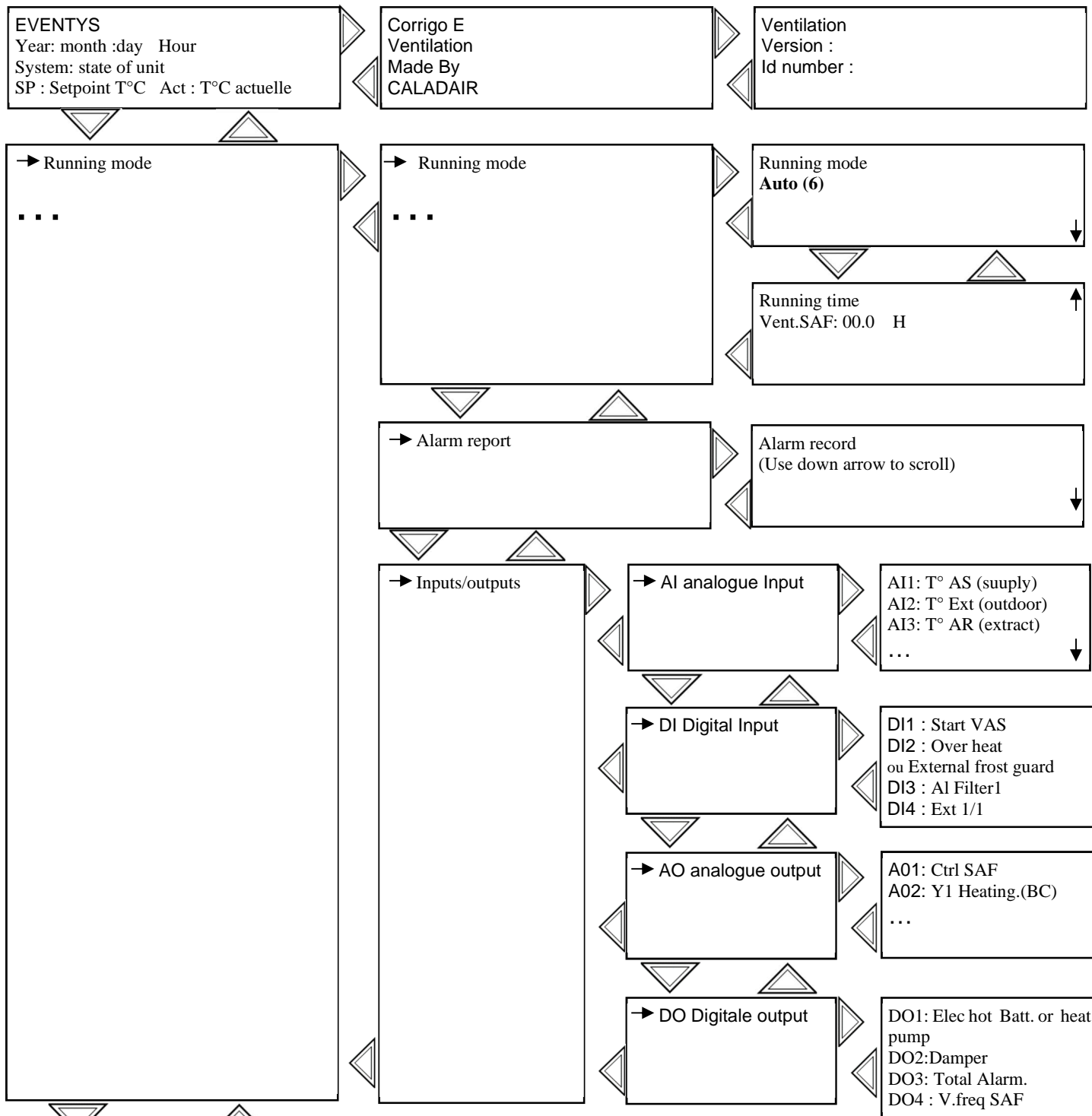
/ **Words in bold** = possible modification

**words in bold underlined** = possible modification with password

/ ... = not used or not accessible..

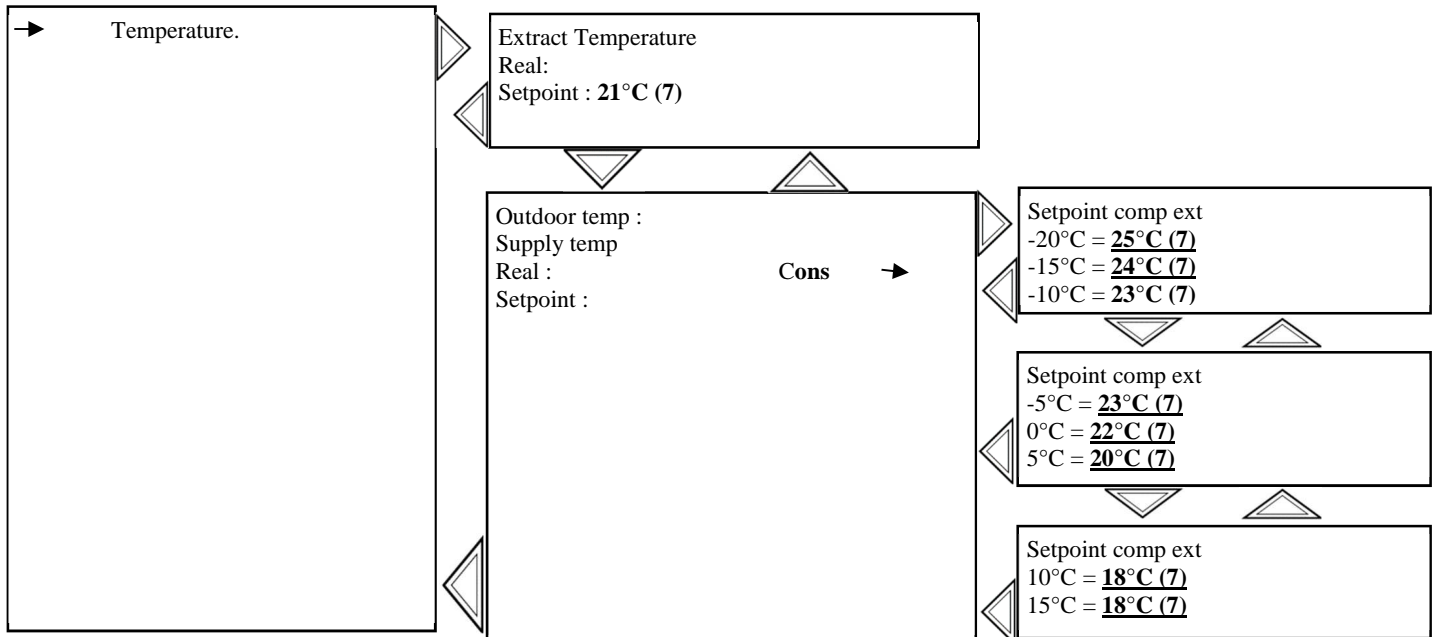


**ATTENTION : Do not modify parameters which are not in bold characters, in this case no after sales will be admitted**



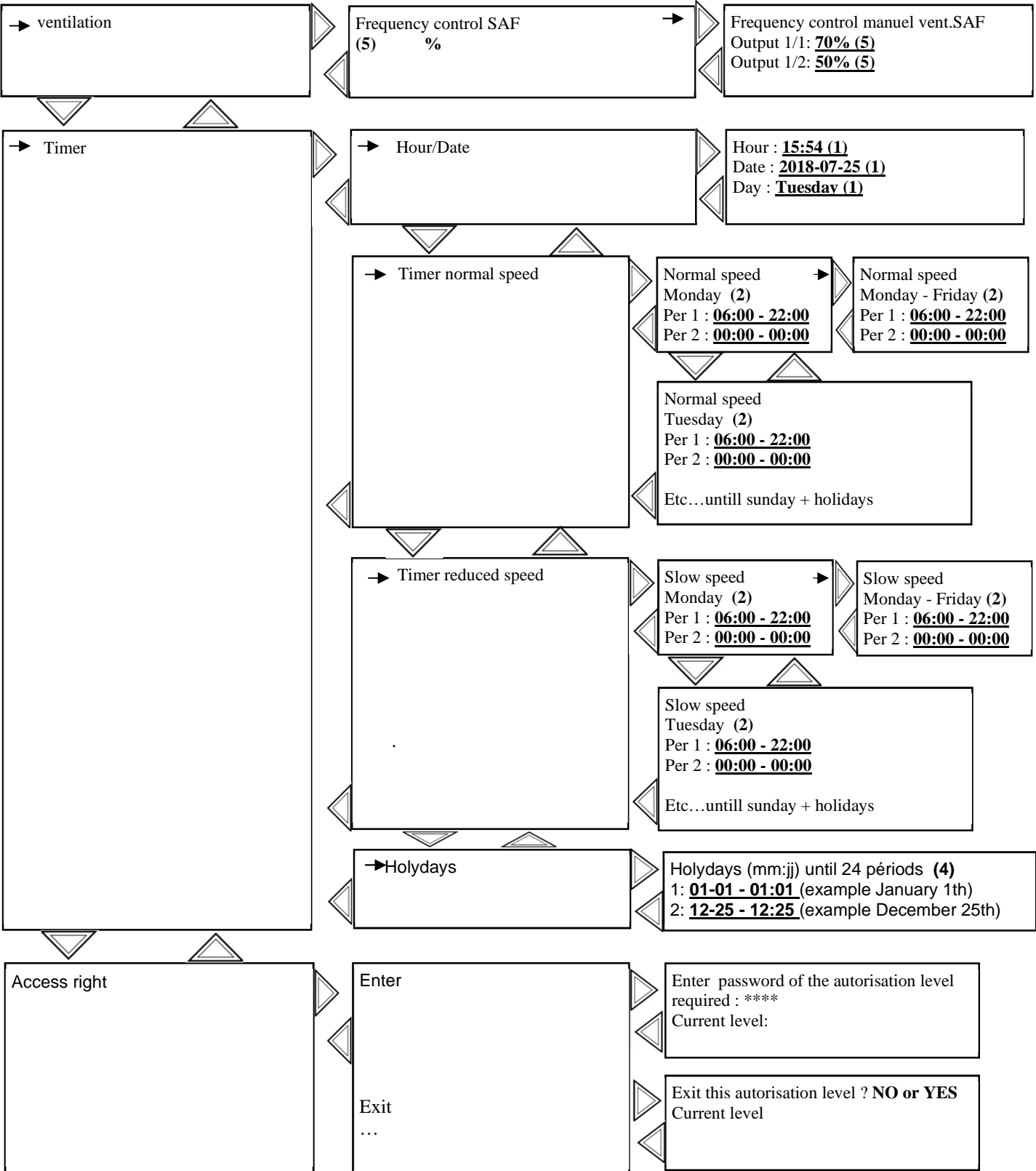
**(6) Unit Start/Stop (see page 22)**

# OPERATING AND COMMISSIONING INSTRUCTIONS



(7) Temperature setpoint setting (see page 22)

**OPERATING AND COMMISSIONING INSTRUCTIONS**



- (1) Hour and date setting (voir page 21)
- (2) HS program setting (voir page 21)
- (3) LS program setting (voir page 21)
- (4) Holydays setting (voir page 21)
- (5) speed settings (voir page 21))

# OPERATING AND COMMISSIONING INSTRUCTIONS

## V.2. Operator parameters modification ( password 3333 required)

### V.2.a. Acces to blocked parameters

Some parameters are blocked by a password, in this case, when you will want to modify them by pressing the OK key this screen will appear.

Enter password <b>Password : ****</b> Level : None
--

Enter the code 3333 using the arrow keys and confirm with the OK key. After a few seconds the previous screen reappears. If you make a mistake, press the C key twice and repeat the operation.

### V.2.b. Dates and hours clocks setting

#### V.2.b.1. Date and hour (1) page 20

The date and time of the controller are set by default in the CORRIGO. The transition from the Summer / Winter time is managed automatically. In case you need to modify this data, follow the following procedure:

- Move the cursor to the Time / Date menu as shown on page 20.

- When you reach this menu

Hour : ex : <b>10:33</b> Date : ex : <b>08/12/23</b> (year/month/day) Day : ex : <b>Mardi</b>
---

Press OK

- Enter the desired value.
- Confirm by pressing the OK key to move to the next field.
- Once all values are updated, press the left arrow to return to the Home screen.

#### V.2.b.2. Hour programming of the functioning system [(2) (3) page 20]

Access :

- **Timer normal speed** : Time settings / normal speed programm
- **Timer reduced speed** : Time settings / slow speed programm

Nota : if slow speed (LS-1/2) and normal speed (HS-1/1) are activated in the same time window, unit works in high speed

#### V.2.b.3. Vacation time [(4)]

Access : Hour settings / holidays

System is set with no vacation time. If you need to reduce fonctionnement time during vacation time, set the functioning time window as indicated in chapter V.3.4), and set the vacation days.

## OPERATING AND COMMISSIONING INSTRUCTIONS

### V.2.c. Settings of speed HS and LS in % (passworded required)

Access : ventilation Regul / Frequency control VAS 1/1 and 1/2 or frequency control VAR 1/1 et 1/2

You can modify the rotation speed of the unit in PV-1/2 (slow speed) and in HS-1/1 (normal speed) for each fan to set the airflows

### V.2.d. Temperature setpoint modification

Access : temperature Regul

Regulation is based on the temperature control of :

- Supply with external compensation (set in standard). Supply temperature setpoint follows outside temperature in compliance with RT 2012 norm.
- Extract

### V.2.a. Forced stop of the unit or forced start LS or HS on the remote control

Access : running Mode / running Mode

You can stop **(6) (stop)** unit with CORRIGO controller or do a forced start LS **(6) (manual speed 1/2)** or HS **(6) (manual speed 1/1)**. In standard unit works automatically with clocks **(6) (Auto)**



If unit do not work in automatic mode an alarm will start. Manual speed 1/1 and manual speed 1/2 modes must be used only for the commissioning and repair. An other setting will lead to a failure of the unit.

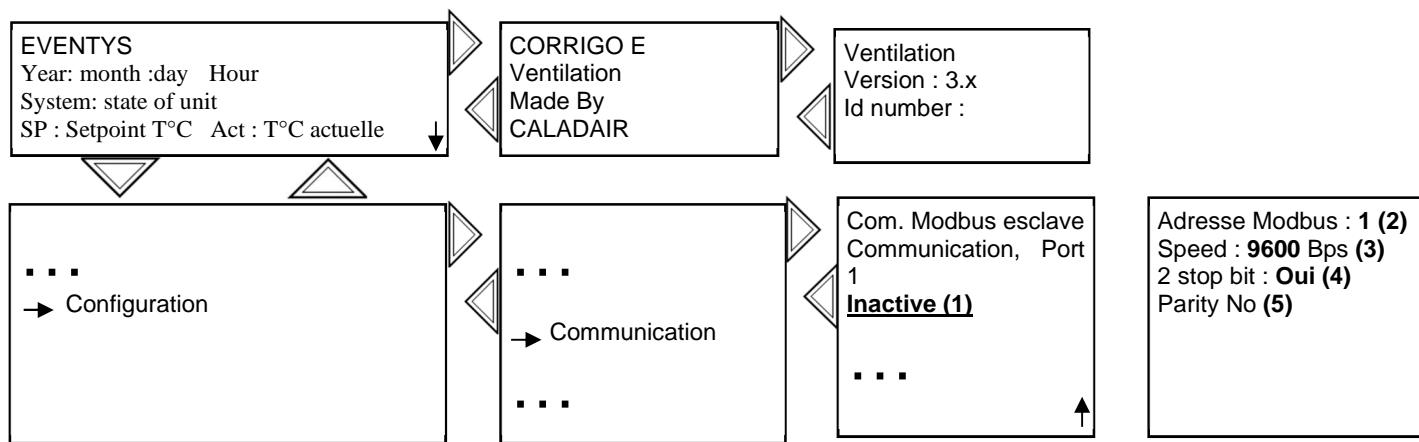
# OPERATING AND COMMISSIONING INSTRUCTIONS

### V.3. Administrator settings

Activation of the **communication**, **dehumidification** and **fire function** requires an access to Configuration menu in system level. You have to get the access rights to « Admin » level. Follow the instructions below:



Enter **1111** with directionnal arrows and validate with OK button. Press left arrow twice to reach the menu. In case of mistake press C button twice and start again



**(1) MODBUS Activation (see page 23) - (2) (3) (4) (5) Settings MODBUS (see page 24)**

#### V.3.a. Modification of system parameters

##### V.3.a.1. Communication MODBUS via RS485 [(1) (2) (3) (4) (5) chapitre VII.3] (password 1111)

You will find the simplified MODBUS at the end of the instructions and commissioning manual.

Access : Configuration / Communication

**MODBUS RS 485** must be activate [(1) chapitre V.7]. Possibility to set speed, parity, stop bits... [(2)(3)(4)(5)]

#### Modbus Type

- 1 = Coil status register (Modus fonction 1, 5 et 15)
- 2 = Input status register (Modus fonction 2)
- 3 = Holding register (Modus fonction 3, 6 et 16)
- 4 = Input resister (Modus fonction 4)

#### Supported Modbus functions

- Read Coils (1)
- Read discrete input (2)
- Read Holding registers (3)
- Read Input registers (4)
- Write single Coils (5)
- Write single register (6)
- Write multiple Coils (15)
- Write multiple register (16)

#### EXOL Type

- R = Real (-3.3E38 – 3.3E38)
- I = Integer (-32768 – 32767)
- X = Index (0 – 255)
- L = Logic (0/1)

# OPERATING AND COMMISSIONING INSTRUCTIONS

Transmission mode

Controller is set in RTU mode

A maximum of 47 registers can be read in one message

V.3.a.2. *Extract temperature sensor activation (password 1111)*

**Setting of the Input**

Access : Configuration / Input Output / AI / AI3

Set AI3 in « AR temp »

V.3.a.3. *Choice of DI3 function (password 1111)*

Access: Configuration / Input Output / DI / DI3

Standard parameter in filter fouling control, this input can be changed to:

- Extended running LS Ext run LS
- Extended running HS: Ext run HS
- External stop: Extrn stop

You also have the possibility to choose the signal NO / NC

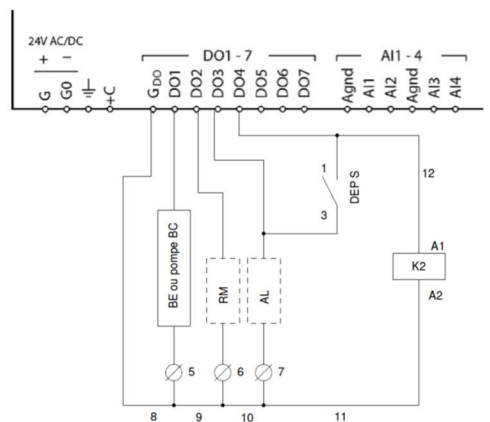
NO: Active if closed contact

NC: Active if open contact

If the "filter fouling" function has been removed (DI3 modified), you can still wire the pressure switch so that the fault will be signaled by the same external indicator as the "fault summary" information (see diagram)

There will be no indication of the filter fault on the CORRIGO screen.

In this case, the "AL" light should consume less than 1A - 24V AC.



V.3.a.4. *Choice of DI4 function (password 1111)*

Access: Configuration / Input Output / DI / DI4

Standard parameter in extended running HS, this input can be changed to:

- Extended running LS Ext run LS
- Extended running HS: Ext run HS
- External stop: Extrn stop

You also have the possibility to choose the signal NO / NC

NO: Active if closed contact

NC: Active if open contact

# OPERATING AND COMMISSIONING INSTRUCTIONS

## VI. MAINTENANCE

### Outside the unit

Check the ducts, flexible sleeves, anti-vibrating plots; replace them if necessary. Check that all elements connected to the unit do not give any vibration to the unit.

### Unit and Regulation

Check connection every year

### Filtration

Do not damage the filters

Classification	Max pressure drop	Efficiency of the filtration EUROVENT	Reference	Washing* (Water + light detergent )	Aspiration* Exhaust*
Gravimetric	150Pa	EU4	G4	Limited (1 to 4 times)	YES
Opacimetric	200Pa	EU7	F7	NO	

Components	Periodicity of the cleaning			
	1 MONTH	3 MONTHS	6 MONTHS	12 MONTHS
<i>Filtration</i>	Blowing (for the G4filters)	Cleaning (for the G4filters)	Washing (for the G4filters )	Replacement Of the filters if needed

### VI.1. Battery replacement

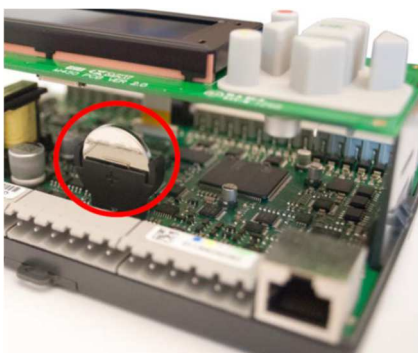
When low battery alarm starts and red LED is lighting, this indicates that the safety battery for the safeguard of the memory and clock is too low. Follow the instructions below to change them. A condenser keeps the safeguard and let the clock running for 10 minutes left after power cut. If the replacement of the battery takes less than 10 minutes, you will not have to reset the program and clock will work normally.

Replacement battery is a CR2032 type



Press the clips on each sides of the box with a little screwdriver to open the the top of the box.

### Location of the battery



Take the battery and remove it softly .

Press firmly the new battery in the support. Note : Attention to the direction and polarity of the battery.



# OPERATING AND COMMISSIONING INSTRUCTIONS

## VII. REPAIR

The EVENTYS range is equipped with alarms. When the red LED flashes, press the alarm key (red) to display the fault. This one will be class A, B or C (see details below)

Type of defect:

A: The fault stops the ventilation system. The unit will not start until the problem has been solved and the fault has been acknowledged.

C: The fault does not stop the ventilation system and disappears automatically as soon as the problem has been solved.

To acknowledge a fault press the alarm button (red), "cancel" and then "save" the fault using the arrows and the OK key. Be careful not to "block"

For any other defect or anomaly found, and in case of inefficiency of troubleshooting, contact the After Sales Service. Defective parts must be replaced exclusively with original components (compliance with applicable product regulations)

### VII.1. No alarm

Description	Cause
<b>CORRIGO screen do not light up</b>	<ul style="list-style-type: none"><li>- Unit is not powered correctly (LED P/B of CORRIGO switched off)</li><li>- To light up the screen, press a button (backlit).</li><li>- Command fuse is disused</li></ul>
<b>Fans do not start</b>	<ul style="list-style-type: none"><li>- Clocks are on 0</li><li>- No external start order</li><li>- External stop</li><li>- Active alarm</li></ul>
<b>Remote control do not run or gives wrong values</b>	<ul style="list-style-type: none"><li>Remote control further than 100m</li><li>Repetitor is not connected correctly</li></ul>

# OPERATING AND COMMISSIONING INSTRUCTIONS

## VII.2. List of alarms



Un défaut peut apparaître en cas de coupure de courant. Acquitez les défauts et la centrale doit redémarrer.

n°	View	Description	Type	Tempo	Cause
1	Malfunction supply air fan	DI1 must be closed « On » if fan runs	A	30s	<ol style="list-style-type: none"> <li>1. Pressure switch is wrongly connected (pressure switch must be set in 30Pa).</li> <li>2. Motor is disused</li> <li>3. Thermic protection motor is activated</li> <li>4. Contrôler le raccordement des tubes crystal</li> <li>5. Presence of water into the tube of pressure switch</li> <li>6. 0-10V motor is inverted</li> </ol>
6	Filter guard	DI3 must be open « Off » if there is no default	C	5s	<ol style="list-style-type: none"> <li>1. Filters are dirty</li> <li>2. Filters pressure switches are wrongly connected (Pressure switches must be set on 150 Pa for G4, 200Pa for F7, 300Pa for G4 + F7).</li> <li>3. Control the connection of the crystal tubes</li> </ol>
8	External frost guard	Ext DI2 must be closed « On » if there is not default	C	120s	<ol style="list-style-type: none"> <li>1. THA thermostat is not set on 5°C</li> <li>2. THA thermostat is disused</li> <li>3. Circulating pump is disused</li> <li>4. 3 ways valve 3 is wrongly connected, hydraulically or is disused</li> </ol>
15	High supply air temp	Ext AI1 is mounted higher than 50°C	A	30s	<ol style="list-style-type: none"> <li>1. Exhaust temperature is higher than 50°C</li> <li>2. Temperature setting is too high</li> <li>3. Exhaust fan is stopped (vent AS Default) when hot battery is in full capacity.</li> </ol>
23	Electric heating is overheated	Ext DI2 must be closed « Fer » if there is no default	A	5s	<ol style="list-style-type: none"> <li>1. Safety thermostat THS is activated. To reset THS, push on the rearmament on the electric battery</li> <li>2. Power cut</li> <li>3. Exhaust fan is stopped (vent AS Default) when electric battery is in full capacity</li> </ol>
27	Sensor error outdoor temp	Control the value Ext AI2	A	5s	Outside temperature sensor SEG is disused .Outside temperature sensor SEG is wrongly connected
35	Manual	Runs in manual mode	C	5s	Default à titre indicatif (le centrale est passée à l'arrêt en PV ou en GV directement sur l'afficheur)
36 à 44	... in Manual mode	Functions are modified in manual mode	C	5s	In the Auto Manual menu everything must be in Auto.
48	Internal battery error	Error battery intern	A	5s	Intern battery of the CORRIGO is disused Change the battery quickly in order to not loose program.
49	Sensor error supply air temp	Control the Value on Ext AI1	A	5s	Outside temperature sensor SSG is disused Outside temperature sensor SSG is wrongly connected
50	Sensor error extract air temp	Contrôler la valeur sur Ext AI3	A	5s	Outside temperature sensor SRG is disused Outside temperature sensor SRG is wrongly connected
85	... in manual mode	Functions are modified in manual mode	A	5s	In Manuel Auto menu everything must be in Auto.
87	... in manual mode	Functions are modified in manual mode	C	5s	In Manuel Auto menu everything must be in Auto.

# OPERATING AND COMMISSIONING INSTRUCTIONS

## VIII. MODBUS AND BACNET TABLES

### INPUT REGISTER

Function	Description	Exo type	Modbus Adress	Bacnet Adress
<b>Unit state</b>	Modbus : 0= stop 1= start 2= start low speed 3= start maxi speed 4= start normal speed 5= in operation 8= CO2 operation 9= Night cooling operation 11= stopped  Bacnet : 1= stop 2= start 3= start low speed 4= start maxi speed 5= start normal speed 6= in operation 9= CO2 operation 10= Night cooling operation 12= stopped	X	3	MSV,40003
<b>Supply fan operatig time</b>	In hours	R	4	AV,40004
<b>Analog ouput</b>	0-10V supply air fan	R	54	AV,40122

### HOLDING REGISTER

Function	Description	Exo type	Modbus Adress	Bacnet Adress	Factory value
<b>High speed supply setpoint</b>	In %	R	424	AV,30424	70
<b>Low speed supply setpoint</b>	In %	R	425	AV,30425	50
<b>Unit state forcing</b>	MODBUS 0= Manual stop 1= Manual low speed 2= Manual high speed 3= Auto  BACNET 1= manual stop 2= Manual low speed 3= Manual high speed 4= Auto	X	368	MSV,30368	3 4

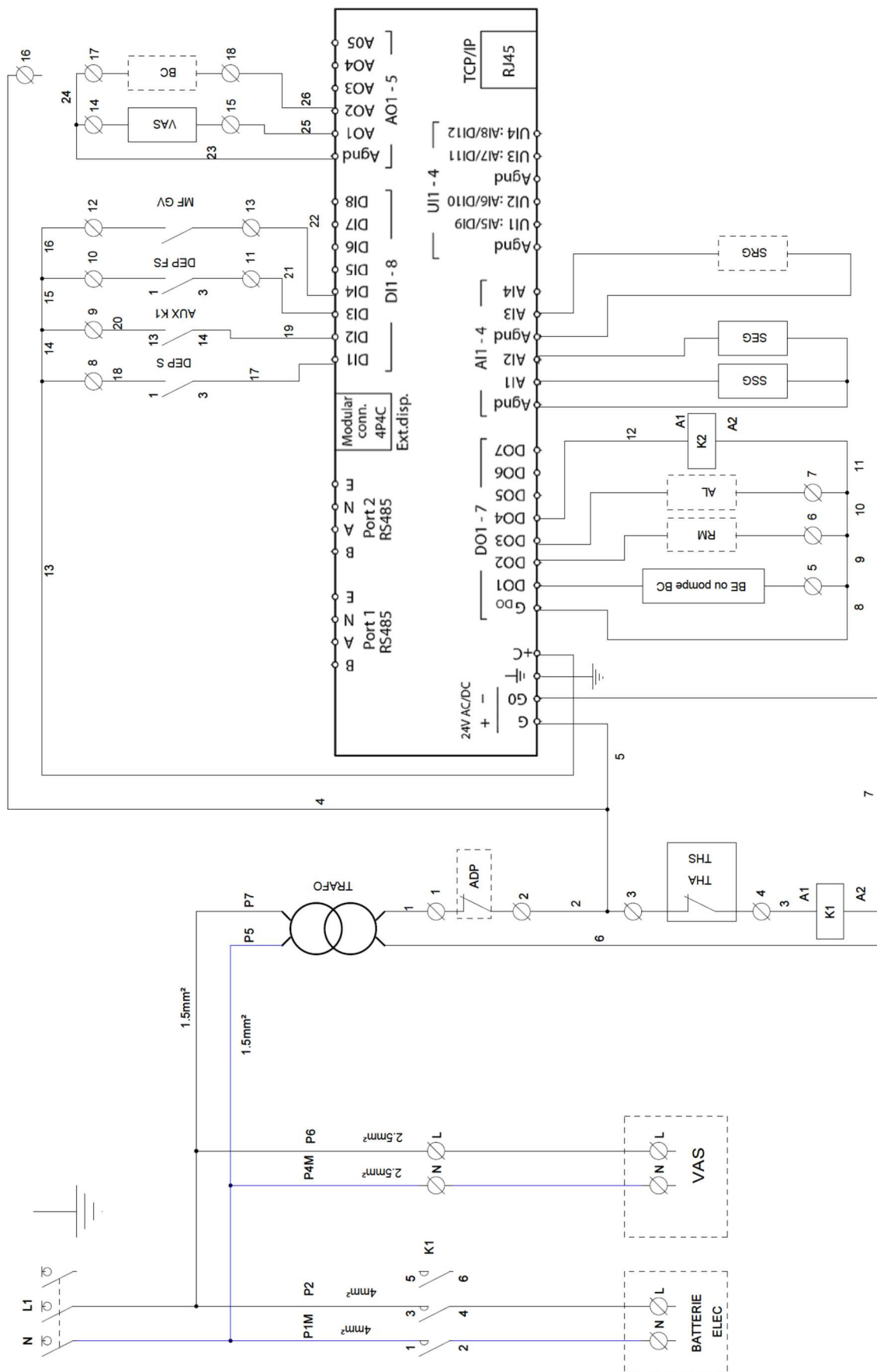
### INPUT STATUT REGISTER

Function	Description	Exo type	Modbus Adress	Bacnet Adress
<b>Active alarm</b>	If 1 = ALARM	L	30	BV,20030
<b>SAF fault</b>	If 1 = ALARM	L	33	BV,20033
<b>Filter fault</b>	If 1 = ALARM	L	38	BV,20038
<b>Battery fault</b>	If 1 = ALARM	L	80	BV,20080

### OPERATING AND COMMISSIONING INSTRUCTIONS

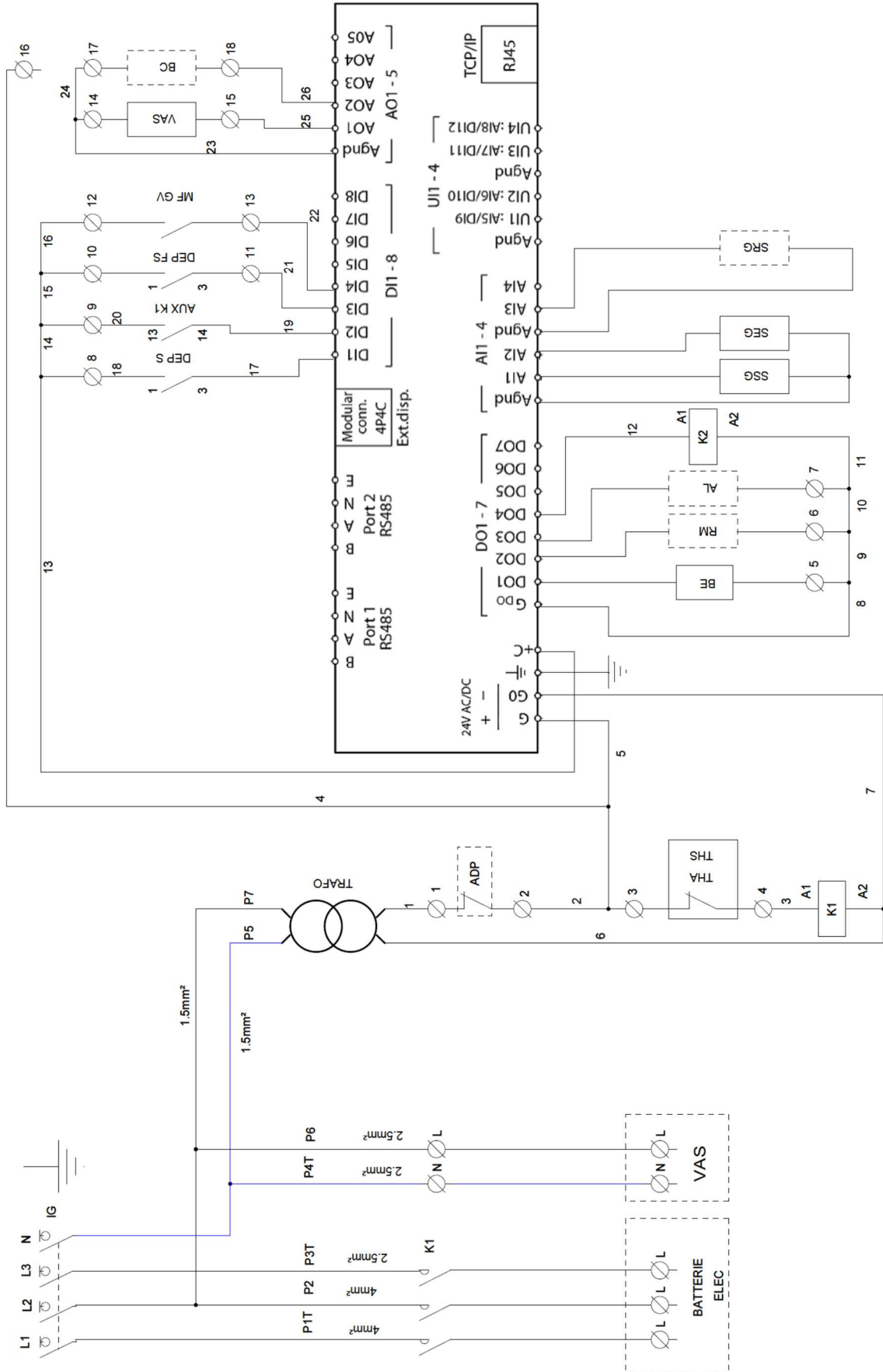
#### IX. ANNEXES

#### IX.1. Wiring EVENTYS 08 to 95 BC and 08 BE



**OPERATING AND COMMISSIONING INSTRUCTIONS**

**IX.2. Wiring EVENTYS 20 to 40 BE**





**OPERATING AND COMMISSIONING INSTRUCTIONS**